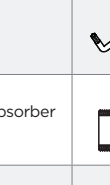
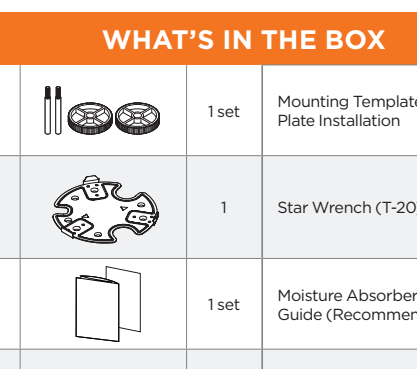


MEGAPIX® IP Cameras

5MP models	2.1MP models
DWC-MV85WIATW	DWC-MV82WIATW
	DWC-MV82DIWT



Default Login Information: admin | admin

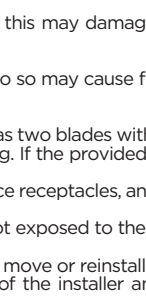
When logging into the camera for the first time, you will be prompted to set up a new password. You can set the new password using the DW® IP Finder™ software or directly from the camera's browser menu.

WHAT'S IN THE BOX

Mounting Bolts and Nuts		1set	Mounting Template for Metal Plate Installation		1
Metal Mounting Plate		1	Star Wrench (T-20)		1
Quick Setup and Installation Guides		1set	Moisture Absorber and Absorber Guide (Recommended)		1set
Screws and Plastics Anchors-3pcs		1set	Waterproof Cap and Rubber Rings (Black: ø0.15" (4mm), White: ø0.19" (5mm))		1set
Mounting Template a Bolt and Nut Installation		1	Test Video Cable (DWC-MV85WIAT, DWC-MV82WIAT)		1

NOTE: Download all your support materials and tools in one place

- Go to: <http://www.digital-watchdog.com/resources>
- Search your product by entering the part number in the "Automatically by Product" search bar. Results for applicable part numbers will populate automatically based on the part number you enter.
- Click **Search!**. All supported materials, including manuals and quick start guide (QSGs) will appear in the results.



Attention: This document is intended to serve as a quick reference for the initial set-up. It is recommended that the user read the entire instruction manual for complete and proper installation and usage.

SAFETY AND WARNING INFORMATION

Read through this Installation Guide carefully before installing the product. Keep the Installation Guide for future reference. See the user manual for more information on the proper installation, use and care of the product. These instructions are intended to ensure that users can use the product correctly to avoid danger or property loss. Warnings: Serious injury or death may occur if any of the warnings are neglected. Cautions: Injury or death may occur if any of the cautions are neglected.

WARNING

- In the use of the equipment, you must be strict compliance with the electrical safety regulations of the nation and region. When the product is mounted on a wall or ceiling, the device shall be firmly fixed.
- Be sure to use only the standard adapter specified in the specification sheet. Using any other adapter could cause fire, electrical shock, or damage to the product.
- Make sure the power supply voltage is correct before using the camera.
- Incorrectly connecting the power supply or replacing the battery may cause an explosion, fire, electric shock, or electric shock.
- Do not connect multiple cameras to a single adapter. Exceeding the capacity may cause excessive heat generation or fire.
- Securely plug the power cord into the power source. An insecure connection may cause a fire.
- Be sure to use only the star-wrench.
- Do not install in a location subject to elevated temperature, low temperature, or high humidity. Doing so may cause fire or electric shock.
- Do not place conductive objects (e.g. screwdrivers, coins, metal items, etc.) or containers filled with water on top of the camera. Doing so may cause personal injury due to fire, electric shock, or falling objects.
- Do not install in humid, dusty, or sooty locations. Doing so may cause fire or electric shock.
- Do not install near any heat sources such as radiators, heat registers, or other products (including amplifiers) that produce heat.
- Keep out of direct sunlight and heat radiation sources. It may cause a fire.
- If any unusual smell or smoke come from the unit, stop using the product at once. Immediately disconnect the power source and contact the service center. Continued use in such a condition may cause fire or electric shock.
- If this product does not operate normally, contact the nearest service center. Never disassemble or change this product in any way.
- When cleaning the product, do not spray water directly onto parts of the product. Doing so may cause fire or electric shock.

CAUTION

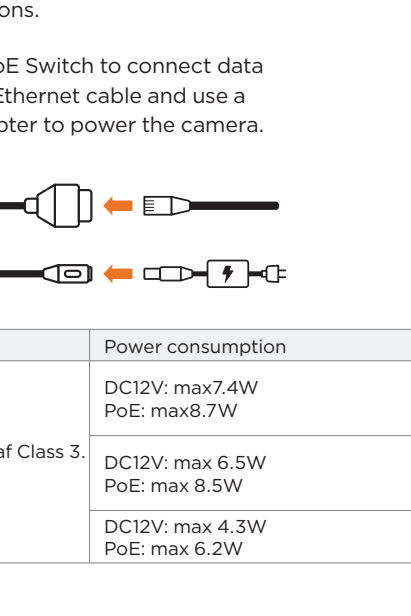
- Use proper safety gear when installing and wiring the product.
- Do not drop objects on the product or apply strong shock to it. Keep away from a location subject to excessive vibration or magnetic interference.
- Do not use this product near water.
- The product shall not be exposed to dripping or splashing and no objects filled with liquids, such as vases, shall be placed on the camera.
- Avoid aiming the camera directly towards extremely bright objects such as the sun, as this may damage the image sensor.
- The Main plug is used as a disconnect device and when then stay readily operable at any time.
- Remove the power adapter from the outlet when there is lightning. Neglecting to do so may cause fire or damage to the product.
- Do not block any ventilation openings. Install following the manufacturer's instructions.
- A polarized or grounding-type plug is recommended for this product. A polarized plug has two blades with one wider than the other. A grounding-type plug has two blades and a third grounding prong. If the provided plug does not fit into your outlet, consult an electrician for replacement.
- Protect the power cord from being walked on or pinched particularly at plugs, convenience receptacles, and the point where they exit from the product.
- If any laser equipment is used near the product, make sure the surface of the sensor is not exposed to the laser beam as that may damage the sensor module.
- If you want to move the already installed product, be sure to turn off the power and then move or reinstall it. Power configuration of all passwords and other security settings is the responsibility of the installer and/or end-user.
- If cleaning is necessary, please use a clean cloth to wipe it gently. If the device will not be used for a long time, please cover the lens cap to protect the device from dirt.
- Unplug this product when a cart is used. Use caution when moving the cart/product combination to avoid injury from tip-over.
- Refer all servicing to qualified service personnel. Servicing is needed when the product has been damaged in any way, such as power supply cord or plug is damaged, liquid has been spilled or objects have fallen into the product, the product has been exposed to rain or moisture, does not operate normally, or has been dropped.

STEP 1 - PREPARING TO MOUNT THE CAMERA

- The mounting surface must withstand five times the camera weight.
- Do not let the cables get caught in improper places or the electric line cover can be damaged. This may cause a short or fire.
- CAUTION:** These servicing instructions are for use by qualified service personnel only. To reduce the risk of electric shock do not perform any servicing other than that contained in the operating instructions unless you are qualified to do so.
- This product is intended to be supplied by a UL Listed Power Supply Unit marked "Class 2" or "LPS" or "PS2" and rated 12 Vdc, 0.62A (DWC-MPV85WIAT and DWC-MV85WIAT), 0.54A (DWC-MPV82WIAT and DWC-MV82WIAT) and 0.36A (DWC-MV82DIWT) min.
- The wired LAN hub providing power over the Ethernet (PoE) in accordance with IEEE 802-3af shall be a UL Listed device with the output evaluated as a Limited Power Source as defined in UL60950-1 or PS2 as defined in UL62368-1.
- Unit is intended for installation in a Network Environment 0 as defined in IEC TR 62102. As such, associated Ethernet wiring shall be limited to inside the building.
- After the installation, remove the dome cover from the camera module by loosening the three (3) screws on the dome. Use the wrench provided with the camera.

WARNING DO NOT TOUCH THE BUBBLE SURFACE. CleanView™ Hydrophobic Dome Coating has been applied to the camera's dome.

- Install the moisture packet in the base of the camera's lens.
 - Remove the moisture absorber from the packaging.
 - Cut the card and folder along the dotted line.
 - Place the moisture absorber behind the camera's lens module.



NOTE: The camera will generate enough heat to dry moisture during operation. In cases where the camera can experience a moisture issue, users must keep the moisture absorber in the camera. The moisture absorber has an approximately 6-month life cycle, varying depending on the environment.

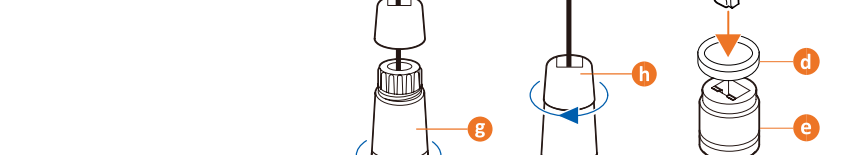
WARNING: It is highly recommended that you install the moisture absorber as it prevents moisture from being captured inside the camera's housing, which may cause image performance issues and damage the camera.

- Remove the protective film between the dome and the camera module.
- Remove the screw hole caps as shown in the image below. If you are mounting the camera using the mounting plate, do not remove these screws.
- Using the mounting template sheet or the camera itself, mark and drill the necessary holes in the wall or ceiling.

STEP 2 - POWERING THE CAMERA

Pass the wires through and make all necessary connections.

- Use a PoE Injector (required, sold separately) to connect data and power to the camera using a single Ethernet cable.
- OR
- Use non-PoE Switch to connect data using and Ethernet cable and use a power adapter to power the camera.



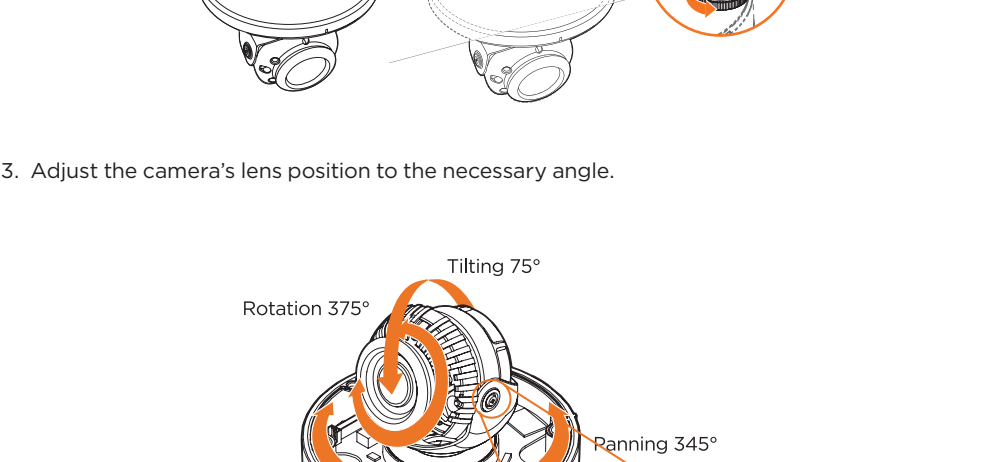
Models	Power requirements	Power consumption
DWC-MPV85WIATW DWC-MV85WIATW DWC-MV85WIAT	DC 12V, PoE IEEE 802.3af Class 3. (Adapter not included)	DC12V: max 7.4W PoE: max 8.7W
DWC-MPV82WIATW DWC-MV82WIATW DWC-MV82WIAT		DC12V: max 6.5W PoE: max 8.5W
		DC12V: max 4.3W PoE: max 6.2W

WATERPROOF CAP INSTALLATION

The waterproof cap set comes with two rubber rings. Use the rubber ring best suited for your power cable's diameter.

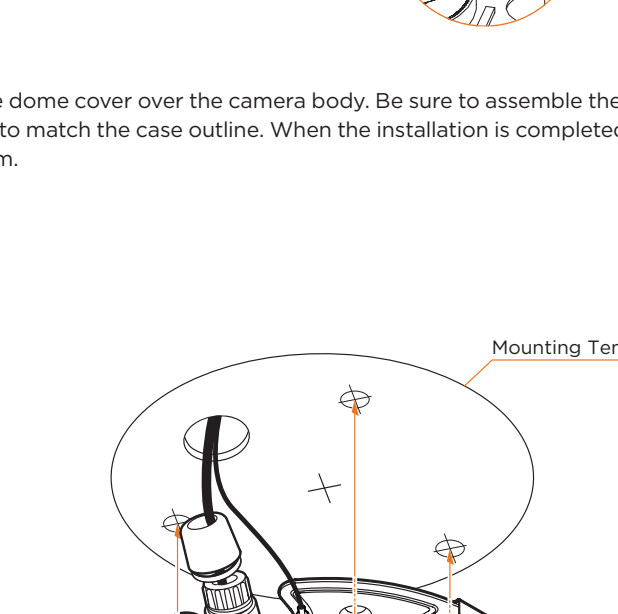
NOTE: Cables with ø4.5mm to ø5.5mm thickness should use the black rubber ring. Cables over ø5.5mm in thickness should use the white rubber ring.

NOTE: To ensure moisture seal, make sure the o-ring is in place between and . In extreme environments use of an outdoor rated sealer is recommended.



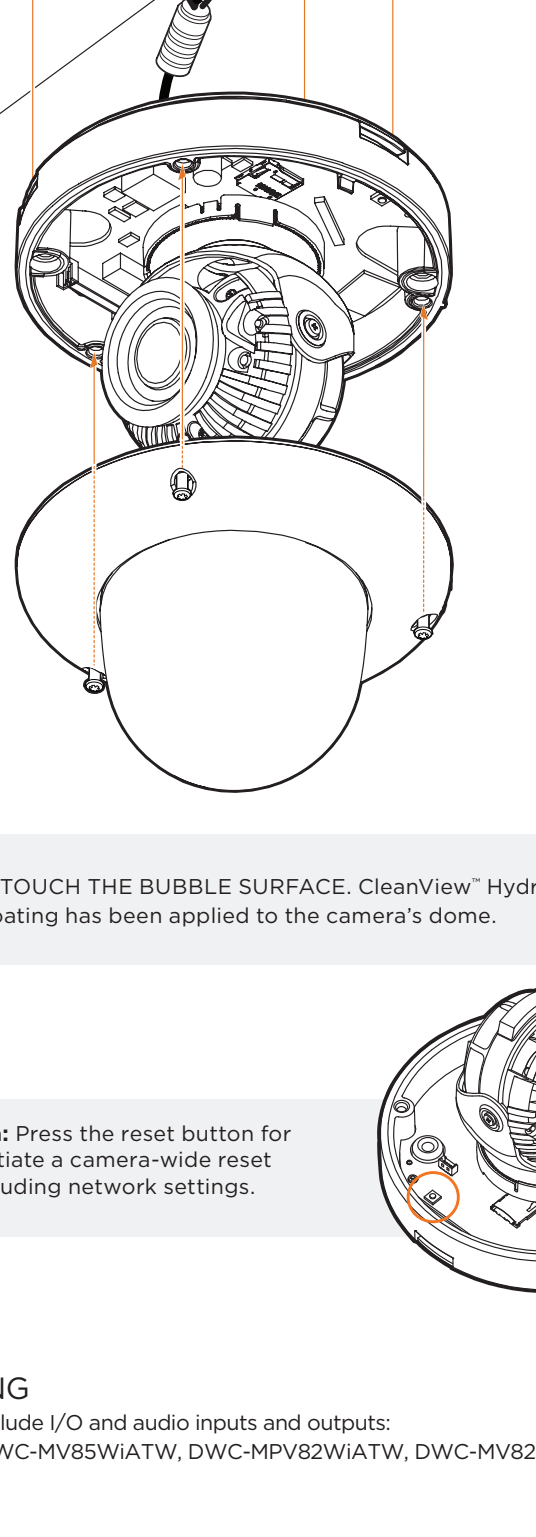
STEP 3 - INSTALLING THE CAMERA

- Attach the camera to the mounting surface using the included anchors and screws.
- To mount the camera using the mounting bolt and screws:
 - Secure the two long mounting bolts to the camera's base.
 - Mount the camera to the mounting surface using the 2 mounting nuts.
 - Rotate the locking discs over the screws until the camera is held tightly from the mounting surface.

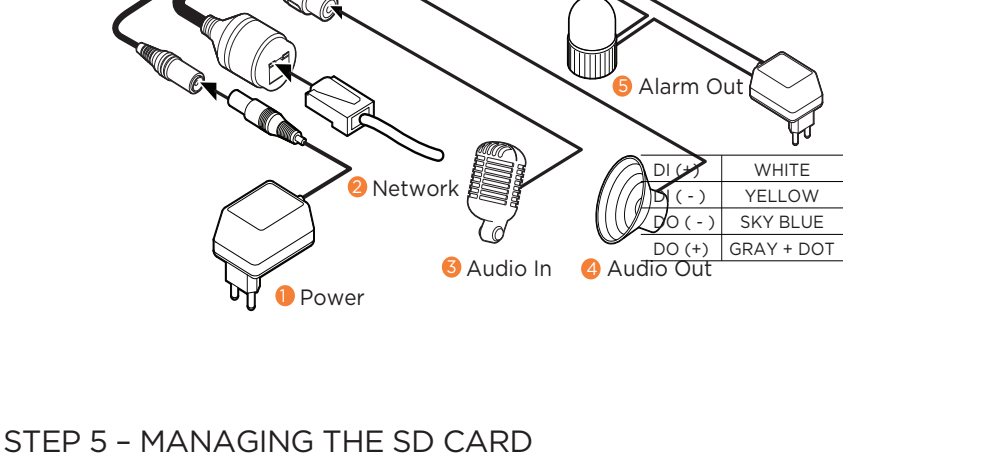


- Adjust the camera's lens position to the necessary angle.
 - Rotation 375°
 - Tilting 75°
 - Panning 345°

- Assemble the dome cover over the camera body. Be sure to assemble the dome and bottom case to match the case outline. When the installation is completed, remove the protective film.



WARNING DO NOT TOUCH THE BUBBLE SURFACE. CleanView™ Hydrophobic Dome Coating has been applied to the camera's dome.

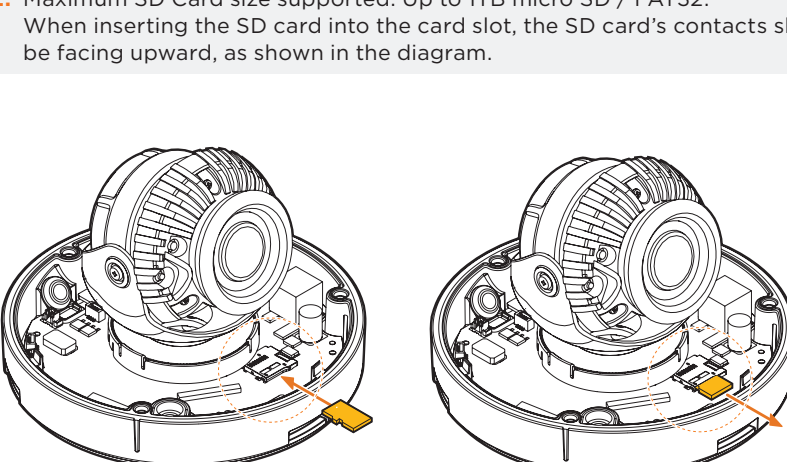


Resetting the camera: Press the reset button for five (5) seconds to initiate a camera-wide reset of all the settings, including network settings.

STEP 4 - CABLING

The following models include I/O and audio inputs and outputs:

DWC-MPV85WIATW, DWC-MV85WIATW, DWC-MPV82WIATW, DWC-MV82WIATW.



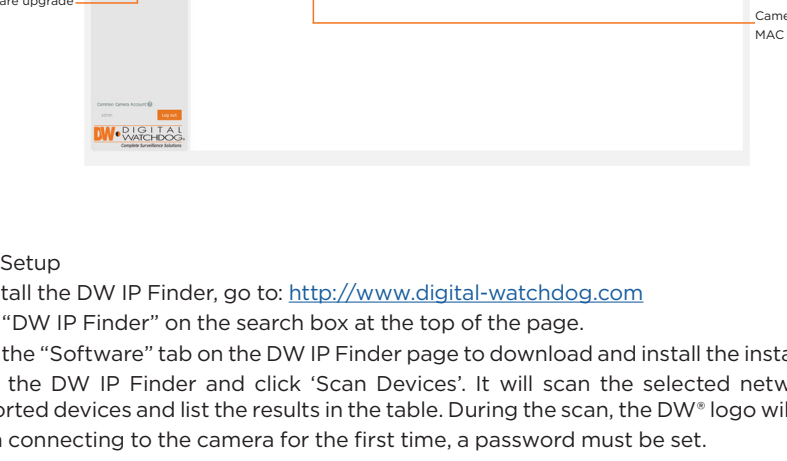
STEP 5 - MANAGING THE SD CARD

The following models include a local SD card slot:

DWC-MPV85WIATW, DWC-MV85WIATW, DWC-MPV82WIATW, DWC-MV82WIATW.

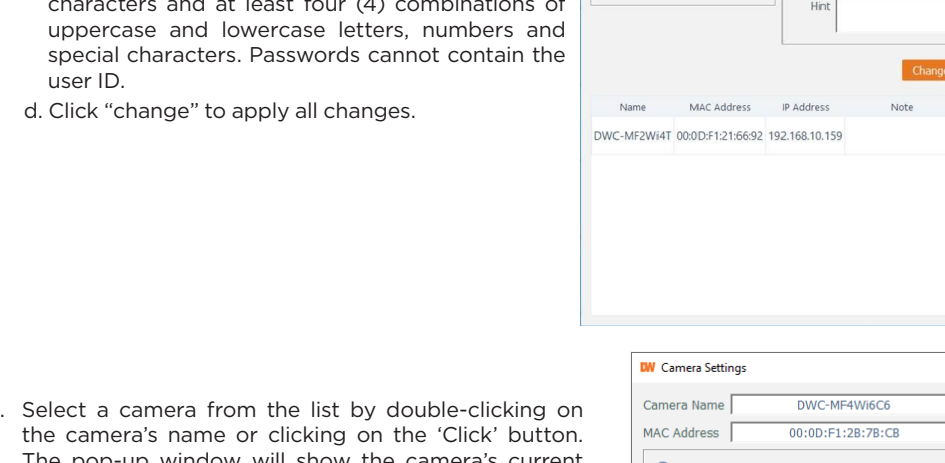
- Locate the SD card slot in the back of the camera module.
- Insert a class 10 SD card into the SD card slot by pressing the SD card slot.
- Press the card inward to release from the card slot.

NOTE: Maximum SD Card size supported: Up to 1TB micro SD / FAT32. When inserting the SD card into the card slot, the SD card's contacts should be facing upward, as shown in the diagram.



STEP 6 - DW® IP FINDER™

Use the DW IP Finder software to scan the network and detect all MEGAPIX® cameras, set the camera's network settings or access the camera's web client.



Network Setup

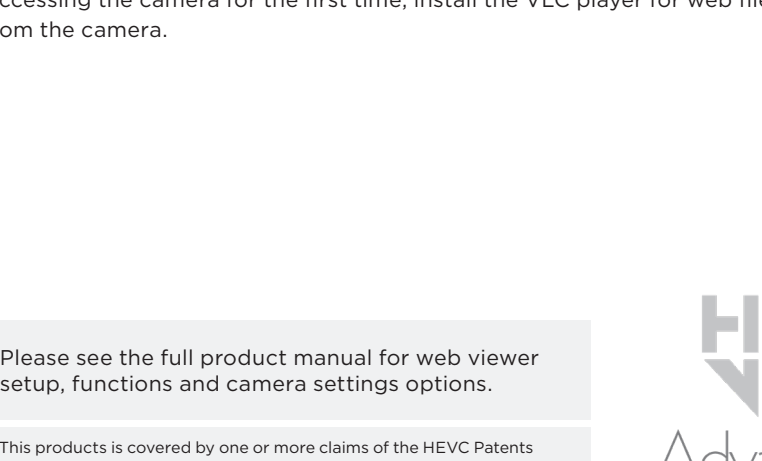
- To install the DW IP Finder, go to: <http://www.digital-watchdog.com>
- Enter "DW IP Finder" on the search box at the top of the page.
- Go to the "Software" tab on the DW IP Finder page to download and install the installation file.
- Open the DW IP Finder and click 'Scan Devices'. It will scan the selected network for all supported devices and list the results in the table. During the scan, the DW® logo will turn gray.
- When connecting to the camera for the first time, a password must be set.
 - Check the box next to the camera in the IP Finder's search results. You can select multiple cameras.
 - Click "Bulk Password Assign" on the left.
 - Enter admin/admin for the current username and password to the right. Passwords must have a minimum of eight (8) characters and at least four (4) combinations of uppercase and lowercase letters, numbers and special characters. Passwords cannot contain the user ID.
 - Click "change" to apply all changes.

- Select a camera from the list by double-clicking on the camera's name or clicking on the 'Click' button. The pop-up window will show the camera's current network settings. Admin users can adjust the settings as needed. The camera's network settings are set to DHCP by default.
- To access the camera's web page, click on the "Website" button.
- To save changes made to the camera's settings, enter the username and password of the camera's admin account and click 'Apply'.

- Select 'DHCP' for the camera to automatically receive its IP address from the DHCP server.
- Select 'Static' to manually enter the camera's IP address. (Sub)Netmask, Gateway and DNS information.
- The camera's IP must be set to static if connecting to Spectrum® IPVMS.
- Contact your network administrator for more information.

To access the camera from an external network, port forwarding must be set in your network's router.

STEP 7 - WEB VIEWER



- Find the camera using the DW IP Finder.
- Double-click on a camera's name in the results table.
- Press the "View Camera Website".
- Enter the camera's username and password you setup in the DW IP Finder. If you did not setup a new username and password, a message will direct you to setup a new password for the camera to view the video.

- When accessing the camera for the first time, install the VLC player for web files to view video from the camera.

NOTE: Please see the full product manual for web viewer setup, functions and camera settings options.

NOTE: This products is covered by one or more claims of the HEVC Patents listed at patentlist.accessadvance.com.

