

## 1640FT LASER SURVEILLANCE SENSOR

DW-DTLA500

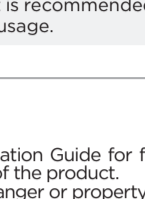


### WHAT'S IN THE BOX

1 x laser sensor
1 x M12 cable gland
1x 0.098" (2.5mm) allen key
1 x quick setup guide

**NOTE:** Download all your support materials and tools in one place

1. Go to: <http://www.digital-watchdog.com/resources>
2. Search your product by entering the part number in the 'Search by Product' search bar. Results for applicable part numbers will populate automatically based on the part number you enter.
3. Click 'Search'. All supported materials, including manuals and quick start guide (QSGs) will appear in the results.



**Attention:** This document is intended to serve as a quick reference for the initial set-up. It is recommended that the user read the entire instruction manual for complete and proper installation and usage.

### SAFETY AND WARNING INFORMATION

Read through this Installation Guide carefully before installing the product. Keep the Installation Guide for future reference. See the user manual for more information on the proper installation, use and care of the product. These instructions are intended to ensure that users can use the product correctly to avoid danger or property loss. Warnings: Serious injury or death may occur if any of the warnings are neglected. Cautions: Injury or equipment damage may occur if any of the cautions are neglected.

#### WARNING

1. In the use of the product, you must be strict compliance with the electrical safety regulations of the nation and region. When the product is mounted on a wall or ceiling, the device shall be firmly fixed.
2. Be sure to use only the standard adapter specified in the specification sheet. Using any other adapter could cause fire, electrical shock, or damage to the product.
3. Make sure the power supply voltage is correct before using the camera.
4. Incorrectly connecting the power supply or replacing the battery may cause an explosion, fire, electric shock, or damage to the product.
5. Do not connect multiple cameras to a single adapter. Exceeding the capacity may cause excessive heat generation or fire.
6. Securely plug the power cord into the power source. An insecure connection may cause a fire.
7. When installing the camera, fasten it securely and firmly. A falling camera may cause personal injury.
8. Do not install in a location subject to elevated temperature, low temperature, or high humidity. Doing so may cause fire or electric shock.
9. Do not place conductive objects (e.g. screwdrivers, coins, metal items, etc.) or containers filled with water on top of the camera. Doing so may cause personal injury due to fire, electric shock, or falling objects.
10. Do not install in humid, dusty, or sooty locations. Doing so may cause fire or electric shock.
11. Do not install near any heat sources such as radiators, heat registers, or other products (including amplifiers) that produce heat.
12. Keep out of direct sunlight and heat radiation sources. It may cause a fire.
13. If any unusual smells or smoke come from the unit, stop using the product at once. Immediately disconnect the power source and contact the service center. Continued use in such a condition may cause fire or electric shock.
14. If this product does not operate normally, contact the nearest service center. Never disassemble or change this product in any way.
15. When cleaning the product, do not spray water directly onto parts of the product. Doing so may cause fire or electric shock.

#### CAUTION

1. Use proper safety gear when installing and wiring the product.
2. Do not drop objects on the product or apply strong shock to it. Keep away from a location subject to excessive vibration or magnetic interference.
3. Do not use this product near water.
4. The product shall not be exposed to dripping or splashing and no objects filled with liquids, such as vases, shall be placed on the product.
5. Avoid aiming the camera directly towards extremely bright objects such as the sun, as this may damage the image sensor.
6. The Main plug is used as a disconnect device and shall stay readily operable at any time.
7. Remove the power adapter from the outlet when there is lightning. Neglecting to do so may cause fire or damage to the product.
8. Do not block any ventilation openings. Install following the manufacturer's instructions.
9. A polarized or grounding-type plug is recommended for this product. A polarized plug has two blades with one wider than the other. A grounding-type plug has two blades and a third grounding prong. If the provided plug does not fit into your outlet, consult an electrician for replacement.
10. Protect the power cord from being walked on or pinched particularly at plugs, convenience receptacles, and the point where they exit from the product.
11. If any laser equipment is used near the product, make sure the surface of the sensor is not exposed to the laser beam as that may damage the sensor module.
12. If you want to move the already installed product, be sure to turn off the power and then move or reinstall it.
13. Proper configuration of all passwords and other security settings is the responsibility of the installer and/or end-user.
14. If cleaning is necessary, please use a clean cloth to wipe it gently. If the device will not be used for a long time please cover the lens cap to protect the device from dirt.
15. Do not touch the camera's lens or sensor module with fingers. If cleaning is necessary, please use a clean cloth to wipe it gently. If the device will not be used for a long time, please cover the lens cap to protect the device from dirt.
16. Use only attachments/accessories specified by the manufacturer.
17. Always use hardware (e.g. screws, anchors, bolts, locking nuts, etc.) compatible with the mounting surface and of sufficient length and construction to ensure a secure mount.
18. Use only with cart, stand, tripod, bracket, or table specified by the manufacturer, or sold with the product.
19. Unplug this product when a cart is used. Use caution when moving the cart/product combination to avoid injury from tip-over.
20. Refer all servicing to qualified service personnel. Servicing is needed when the product has been damaged in any way, such as power supply cord or plug is damaged, liquid has been spilled or objects have fallen into the product, the product has been exposed to rain or moisture, does not operate normally, or has been dropped.

### STEP 1 - PREPARING TO MOUNT THE LASER SENSOR

1. Do not stare directly into the red alignment laser. Do not leave the red alignment laser turned on after installation process is complete.
2. Only use wall brackets and tripod with compatible mounting.
3. Install the product only on a solid surface.
4. Install the product so that the detection line is not obscured by interference from tall grass or tree branches waving in the wind.
5. For perimeter protection, the unit should be placed at desired detection height and parallel to ground.
6. Do not install or leave the product in a location exposed to heat, vibration or impact.
7. The SiteWatch™ laser sensor is compatible with a number of conventional wall brackets used for surveillance cameras, all standard accessories, such as pole mounts, corner mounts etc., can be used.
8. When using the product for mobile applications, the threaded UNC 5/8" - 11 hole is compatible with most surveyor tripods.
9. Using the mounting accessory, mark and drill all necessary holes in the mounting surface.

**NOTE:** The sensor must always be mounted on a steady foundation, such as a wall or a pole that is well secured to minimize risk of misalignment due to vibrations.

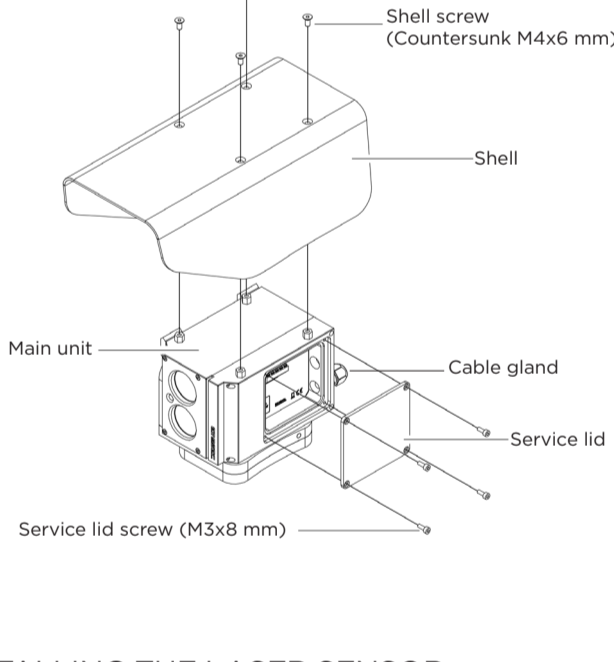
**NOTE:** The sensor has a maximum detection range of up to 1640.42ft (500m). Recommended range for demanding applications is 984.25ft (300m), to ensure detection of small objects such as people, even in difficult weather conditions.

### STEP 2 - CABLING THE LASER SENSOR

The SiteWatch™ laser sensor is powered with PoE and all communication is made with TCP/IP. For applications that require cables over 328ft (100m) between unit location and nearest switch or router it is necessary to use network extenders or fiber optics.

1. Remove the shell and service lid.
2. Insert the network cable without a connector through the cable gland. Crimp RJ45 connector to the cable then plug into the RJ45 jack.
3. Tighten the cable gland to secure the cable and seal the casing.
4. If the relay is desired to be used, replace the plug on the backside with supplied cable gland.
5. Connect the signal cable to the terminals. Choose connection for desired function, normally open (N/O) or normally closed (N/C).
6. Refit the service lid and shell.

Power input	Power consumption
Power over Ethernet (48V DC) or 12V DC	4W, class 2

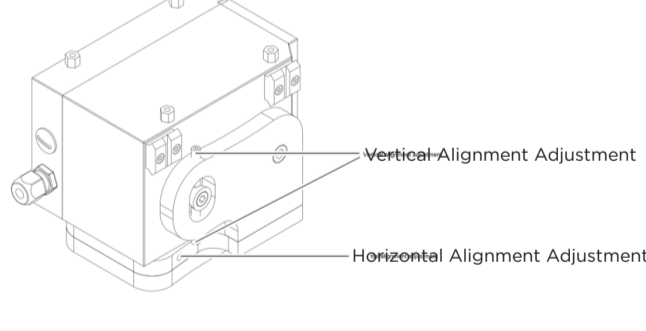


### STEP 3 - INSTALLING THE LASER SENSOR

1. Install wall bracket and additional items according to their associated descriptions.
2. Mount the unit on the wall bracket with the four M6 screws.
3. Make a rough alignment with the adjustable wall bracket head.

### STEP 4 - ALIGN THE LASER SENSOR

The final alignment adjustment of the sensor is made with the adjustment screws on the sensor. To facilitate alignment, horizontal and vertical adjustments have been separated.



1. Remove the shell.
2. Release all adjustment screws using a 2.5mm Allen key.
3. Screw on one side to push the sensor in the desired direction. 3/4 turns of the adjustment screw equals to 3.28ft (1m) movement at 109yd (100m), 6.56ft (2m) at 218yd (200m) and so on.
4. When the sensor is aligned, tighten the screws from both sides to lock the alignment.
5. Confirm that alignment is correct after all screws have been tightened.
6. Refit the shell.

### STEP 5 - CONFIGURE



The DW-DTLA500 can be setup remotely via the detector's web interface. To open the detector's web interface:

1. Open a web browser.
2. Enter the detector's default IP address in the in the address bar. The detector's default IP address is 192.168.0.10.
3. Enter the detector's username and password. The default username and password are admin | admin. If this is your first time accessing the detector remotely, it is highly recommended that you change the password.

**\* NOTE: Default IP address: 192.168.0.10**

**NOTE:** Please see the full product manual for web viewer setup, functions and camera settings options.

#### Resetting the laser sensor:

1. Remove the shell and service lid.
2. Press and hold reset button for 8-10 seconds until the network activity lights go out then start blinking.
3. Refit the service lid and shell.
4. The unit will change IP address to default IP.
5. The unit will restart in the boot loader.
6. Click "Clear settings" to reset admin password and erase previous configurations.

